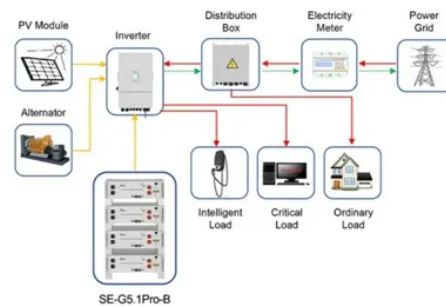




Household power generation solar panel supplier



Application scenarios of energy storage battery products

Overview

Installing solar panels on our home can help us save money on our bills as well as increasing the amount of renewable energy going into the National Grid (and earning us money for selling that excess energy). Solar panels have been subject to two Government schemes to pay householders for energy: 1. The feed-in. The feed-in tariff was introduced in April 2010 as a way of encouraging households to install renewable and low-carbon energy generators on their homes. It included solar panels and. The Smart Export Guarantee (SEG) was introduced in 2020 as a replacement for the FIT. It covers the following types of installation up to a capacity of 5MW (or 50kW for micro-CHP): 1. The scrapping of the feed-in tariff system and the move towards Smart Export Guarantee tariffs managed by energy companies has led to a significant decrease in the level of. The latest figures from the Energy Saving Trust suggest the average domestic solar PV installation costs around £6,500. Several elements affect.



Article Content

How Much Do Solar Panels Cost?

Solar panel systems on homes are typically up to 4kWp. A system of this size can generate more than 3,000kWh per year. For comparison, a home using a "medium" amount of electricity gets through 2,700kWh a year on average, ...

Solar Panel in Dubai : Buy online solar panels at low price from ...

Looking for solar panels in Dubai? Discover the best solar solutions for your energy needs in Dubai. Our high-quality solar panels harness the power of the sun to provide clean and sustainable energy for your home or business. Save on electricity bills and reduce your carbon footprint with our reliable solar panel systems.

Microgeneration & Feed-in Tariffs in Ireland for Solar ...

It's the small-scale generation of electricity from renewable sources by homes, businesses or farms. The energy produced can be: used to power your home or business; sold back to the grid via an energy supplier; ...

Solar Panel Manufacturers and Products

Solar Panel Manufacturers and Products. Home; Solar Panels UK: A Guide for 2025; Solar Panel Manufacturers and Products; On this page. Written-by. Janet Richardson. Reviewed-by. ... and high-density cell interconnect technologies lower resistance loss and decrease the invalid power generation area. It has a capacity of 50 GW. 8. First Solar ...

China Solar Panel Manufacturer Supplier

Trusted China solar panel manufacturer supplier. Provide top-quality solar panels for business. ... Customer Demand: Provide basic electricity for single household. Solar System Configuration: 4 solar panels (330W each), 1 inverter (1kW), 2 deep cycle batteries (100Ah each). ... Their technology and products have optimized energy generation ...

Agrivoltaics

As of October 2024, India's solar power capacity was 92.12 GW. The Central Electricity Authority (CEA) expects this to grow to 270-293 GW by 2030, making up about 58-60% of all non-fossil fuel energy. ... which combines farming and solar energy generation. Understanding Agrivoltaics. Agrivoltaics, also known as agro-photovoltaics, is the ...

Top 10 Solar Panel Manufacturers in the UK (January 2025)

220V Solar Panel Kit Complete Solar Power Generator 100A Home Grid System 6000W

Trina,Longi,Jinko,JA solar panel supplier in china ...

GHPV solar is a professional solar panel supplier. We offer high - quality products including Trina solar panel, Longi solar panel, Jinko solar panel and JA solar panel. ... founded in 2017, located in Changzhou City, Jiangsu Province, is ...

Can You Generate Your Own Electricity At ...

Solar technology, specifically photovoltaics or PV for short has come a long way and is commonly installed via solar panels on your roof. Solar harnesses the power of the ...

Solar Panels For Home | Supplier

Self generated power can save you £££ with effective solar panels for the home from a trusted supplier and installer. Enjoy the benefits of free electricity! Self generated power can save ...

Solar Panel kWh Calculator: kWh ...

The first factor in calculating solar panel output is the power rating. There are mainly 3 different classes of solar panels: Small solar panels: 50W and 100W panels. Standard solar panels: ...

MJK Power

The common sizes of solar panels in the market include 2m, 2.5m, 3.3m, etc. Among them, 2m sized solar panel is suitable for household use, with a power of approximately 200W; 2.5m ...

Solar panels

Solar panels capture the sun's energy and convert it into electricity for your home. Here's how they work and their benefits.

Solar panels

A heat pump is a low carbon heating system that's powered by electricity. Using a solar panel system to power the heat pump, you can lower both your electricity and your heating bills. The most common type of heat pump are air source ...

Generation Solar - Solar PV Installer in ...

Solar is now providing power to homes, cars and businesses across the UK. This clean, sustainable power can also work for you. At Generation Solar we provide a professional install ...

What energy tariffs are available with solar panels?

Installing solar panels on our home can help us save money on our bills as well as increasing the amount of renewable energy going into the National Grid (and earning us money for selling that excess energy). ... The ...

Gujarat Based Solar Panel Manufacturers, ...

Pahal's Premium-Quality Solar Panels are Manufactured In-House. On the strength of our state-of-the-art solar panel manufacturing plant, extensive R& D and stringent quality ...

Solar Energy Products Manufacturer,PV Module Panel ...

Anhui Zhonghan Solar Technology Co Ltd. Tel. +86 551 65566216-801. Email: market@zhonghansolar . Website: Address: No. 2 Hefei Shuangchuang Industrial Park, Intersection of Mading Road and Sunjie ...

Best Solar Panels For Homes Of February ...

As the maker of the highest-power residential solar panels among reviewed manufacturers, Canadian Solar is more than just another panel maker. One of the company's ...

Octopus Energy Solar Panels Review | Effective Home

Octopus Energy's Solar Panel Manufacturers. Octopus Energy uses panels made by JA Solar, and its engineering arm, Octopus Energy Services, installs them; they've already been installing electric vehicle chargers, air-source heat pumps, and smart meters for some time. ... JA Solar released its next-generation DeepBlue 4.0 Pro solar panels ...

Contact Us

For more information, pricing, or custom solutions, please contact us:

Website: <https://proton-engineering.eu>

Email: info@proton-engineering.eu

Phone: +1 832 471 8952

Address: 12345 Lake City Way, Suite 200, Houston, TX 77001, USA

This document is for informational purposes only. Specifications subject to change without notice.

