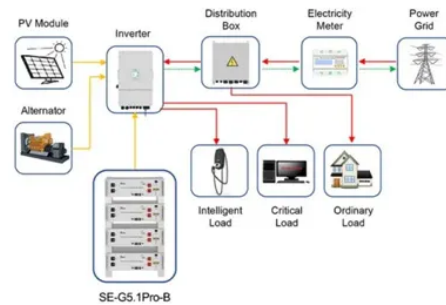




Individual installation of solar power generation equipment



Application scenarios of energy storage battery products

Overview

This article walks you through the basics of PV system installation, focusing on the practical steps from mounting modules to connecting the inverter to the electrical grid, and emphasizes the importance of ongoing maintenance to optimize system performance. Through this discussion, we aim to. If you invest in renewable energy for your home such as solar, wind, geothermal, fuel cells or battery storage technology, you may qualify for an annual residential clean energy tax credit. The Residential Clean Energy Credit equals 30% of the costs of new, qualified clean energy property for your. Design and installation of Solar PV Systems Today our modern world needs energy for various day to day applications such as industrial manufacturing, heating, transport, agricultural, lightning applications, etc. Most of our energy need is usually satisfied by non-renewable sources of energy such. Please read this manual carefully before installing the system and carry out the installation procedures correctly. This manual does not list all precautions needed for safe work. Be sure to follow OSHA guidelines.

Article Content

Step-by-Step Guide to Solar Power Panel Installation

This step-by-step guide to solar power panel installation breaks down the process of installing solar power panels to help you in your renewable ...

A Guide to Photovoltaic Systems Installation: From ...

Follow along with the essential steps of photovoltaic systems installation, from mounting solar modules and connecting to the grid, to commissioning and ...

Step-by-Step Guide to the Solar Installation Process

Follow our step-by-step solar installation guide covering assessment, permits, equipment, installation process, and system maintenance for optimal ...

Residential Clean Energy Credit

On This PageHow It WorksWho QualifiesQualified ExpensesQualified Clean Energy PropertyHow to Claim The CreditRelated ResourcesFile Form 5695, Residential Energy Creditwith your tax return to claim the credit. You must claim the credit for the tax year when the property is installed, not merely purchased. For additional instructions on how to claim the credit for residential clean energy follow our step-by-step guide. See more on [irs.gov](https://www.irs.gov)Electrical Technology

How to Design and Install a Solar PV System - Solved Example

Calculation of Energy Demand. The size of the standalone PV system depends ...Inverter & Converter (Charge Controller) Ratings. For choosing the proper ...Daily Energy Supplied to Inverter. Let us consider in our case the daily energy ...System Voltage. The inverter input voltage is referred to as the system voltage. ...Sizing of the Batteries. While sizing the battery some parameters are needed ...See full list on [electricaltechnology.com](https://www.electricaltechnology.com) Solar Electric Supply

Solar Power System Installation Manual

The installation of solar modules involves work in high places; take extreme precautions to avoid falling from roof. To prevent accidents, safety regulations must be observed.

Solar Panel Installation Guide

Thinking of installing solar panels at home? Our 8 step guide provides the process for a successful installation from planning to powering the ...

Procedure for the Installation of a Solar Power System

Step-by-step procedure for installing a solar power system, from site assessment and mounting to wiring, inverter setup, and grid connection for efficient energy use.

pvgis

Whether you're planning a DIY solar installation or hiring professionals, you'll discover the essential techniques, costs, and regulations needed to successfully ...

Solar Installation Process: Complete 7-Step Guide (2025)

This comprehensive guide walks you through every step of the solar installation process, helping you understand what to expect, how long each phase takes, and how to ensure a successful ...

Contact Us

For more information, pricing, or custom solutions, please contact us:

Website: <https://proton-engineering.eu>

Email: info@proton-engineering.eu

Phone: +1 832 471 8952

Address: 12345 Lake City Way, Suite 200, Houston, TX 77001, USA

This document is for informational purposes only. Specifications subject to change without notice.

