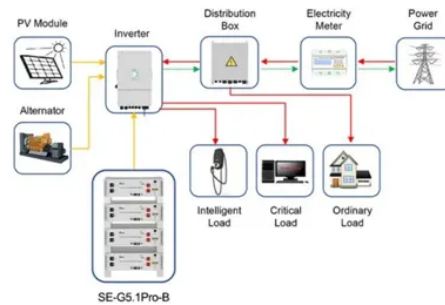




Mountain Area Use of Wind-Resistant Outdoor Mobile Energy Storage Cabinet



Application scenarios of energy storage battery products

Overview

With IP54/IP55 protection, anti-corrosion design, and intelligent temperature control, they are ideal for telecom base stations, remote power supply, and containerized microgrids. Our outdoor cabinets are pre-assembled for quick deployment and can operate reliably under wide. Outdoor battery cabinets play a crucial role in advancing renewable energy systems. You can see their importance in how they protect energy storage solutions and ensure reliable energy delivery, even in challenging environments. Recent data highlights this growing demand: The market for outdoor. Our NEMA 3R Design Battery & Control Enclosures feature powder-coated aluminum, swing out door or chest style, filtered vents and an optional NEMA 4 design separate electronics enclosure. A pedestal base is included for secure mounting. The rugged cabinet itself also provides physical. Batteries hate temperature swings. Too cold and charging slows to a crawl. Dust or moisture that sneaks inside can trigger faults or even permanent damage.



Article Content

What Makes an Outdoor Battery Cabinet Ideal for Energy Storage and ...

Discover why outdoor battery cabinets are ideal for energy storage and telecom use, offering durability, safety, intelligent control, and flexible deployment.

Outdoor Cabinet | SWA Energy LiFePO₄ Battery Storage Systems

With IP54/IP55 protection, anti-corrosion design, and intelligent temperature control, they are ideal for telecom base stations, remote power supply, and containerized microgrids. Our outdoor cabinets are ...

Choosing the Best Material for Outdoor Energy Storage Cabinets: A ...

Outdoor energy storage cabinets require materials that balance durability, cost, and environmental adaptability. This guide compares steel, aluminum, and composite materials - complete with industry ...

Outdoor Battery Storage Cabinet | TOPBAND LiFePO₄ Energy ...

Empower your off-grid projects and grid-support applications with a reliable outdoor battery storage cabinet from TOPBAND. Engineered for harsh climates and demanding workloads, our outdoor ...

Outdoor Battery Box Enclosures and Cabinets | Lithium-ion | Solar ...

AZE's outdoor battery racks and battery enclosures keep your batteries safe from weather, vermin and damage, we have enclosures for wall or floor mount with models available for indoor and outdoor ...

Boosting Efficiency with Waterproof Outdoor Cabinet Systems

Boost energy storage efficiency with waterproof outdoor cabinets for faster deployment and lower costs.

Outdoor Energy Storage Cabinet: 105KW/215KWh All ...

With NextG Power's Outdoor Energy Storage Cabinet, scalability and adaptability are at your fingertips. Whether starting with a single unit or planning a multi ...

Energy Storage Outdoor Cabinet Case: The Backbone of Modern ...

That's the daily reality for energy storage outdoor cabinet cases —the unsung heroes of renewable energy systems. These cabinets aren't just metal shells; they're precision-engineered fortresses ...

Outdoor Energy Storage All-in-One Cabinet Customized

This article explores the key features, benefits, and customization options of Voltsmile's Outdoor Energy Storage All-in-One Cabinet, ensuring you make an informed decision for your energy storage needs.

Case Study on ESTEL Outdoor Battery Cabinets in 2025

Discover how ESTEL outdoor battery cabinets ensure reliable energy storage in renewable projects, even in harsh environments, as shown in a 2025 ...

Contact Us

For more information, pricing, or custom solutions, please contact us:

Website: <https://proton-engineering.eu>

Email: info@proton-engineering.eu

Phone: +1 832 471 8952

Address: 12345 Lake City Way, Suite 200, Houston, TX 77001, USA

This document is for informational purposes only. Specifications subject to change without notice.

